



# Rolle رولك Q

شركة رولك قطر للأنظمة الأتوماتيكية  
Rolle Qatar For Automatic System



2015

# Our Profile



Rollc Company for Automatic Doors and Security Systems has been established since Year 2000 offering a quality bespoke. Service from design, manufacture and installation .Our business strives to achieve

optional accessories focusing closely on customer needs, to maintain and expand our product leadership and delivery value. Specializing in manufacturing, design and installation of Aircraft Hangar Doors, Rolling Shutters, Automatic Doors, Gates and Security Systems and Structure Shade and Steel Works .

Since its inception in Riyadh, Rollc Company has already provided services to hundreds of clients all over the Kingdom of Saudi Arabia and internationally .

Rollc distinguishes itself for having highly qualified, skilled, and professional technicians, fabricators and designers. Above all, Rollc Company values its customers with pride and professionalism .

We also have a powder coating line for all kinds of steel shutters that gives the product an attractive and everlasting finish. Powder coating gives a long-lasting, color-durable quality finish, resistant to chipping, scratching, fading, and wearing .

Rollc adheres to the rigorous standards of Underwriters Laboratories, Inc. (U.L), we achieved UL certification for Fire Rated Doors, Rollc has ISO 9001 : 2008 certification and it has Acoustic Door for STC 31 certified by Riverbank Laboratories ( U.S.A ) .

Rollc Structures administers complete Steel projects for factories, warehousing, shopping Centre's, hangars, offices and plants. With more than 14 years of combined experience in structural steelwork, construction and design, you can be assured of quality at the right price .

Since its inception in Riyadh, Rollc Company has already provided services to hundreds of clients all over the Kingdom of Saudi Arabia and Internationally. Rollc distinguishes itself for having highly qualified, skilled, and professional technicians, fabricators and designers. Above all, Rollc Company values its customers with pride and professionalism .

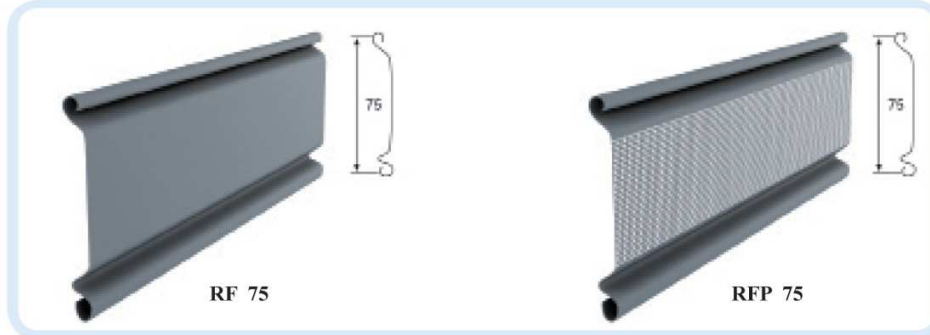
Rollc is sole distributor in KSA for following Internationally reputed companies such as Elektromaten (GFA) - Germany, ACM -Italy, Tormax - Switzerland, SEA - Italy, Thermalex – Canada, Efaflex – Germany and Pentalift - USA .

Rollc is the present Company to be reckoned with for the 21st century and beyond .

# Our Products

Rolling Shutter Model RF 75 & RFP 75 Slats.....	4
Rolling Shutter Model RF 105 & RFP 105 Slats.....	5
Rolling Shutter Model RC 97 & RCP 97 Slats.....	6
Rolling Shutter Model RIC 75,RIF 77 & RPOLC1 Slats.....	7
Rolling Shutter Grill Model RGB 58/100 & RGS 145/160 Standard.....	8
Guide Shutter Model RG 60/100 & RGW / RGAW.....	9
Rolling Shutter with Wind Lock System.....	10
Roll Fire Rated Shutters.....	11
Sectional Doors.....	13
Side Motors.....	15
Central Motors.....	17
Automatic Doors.....	18
Gate Automations.....	19
Fast Action Doors.....	20
Docking Equipmenets.....	22
Hydraulic Road Blocker.....	24
Tyre Killer.....	25
Steel Works.....	26
Air Craft Hangar Doors.....	30
Hangar Doors Motor.....	32
Membrane Structure.....	33
Rollc Certificates.....	35

## Rolling Shutters



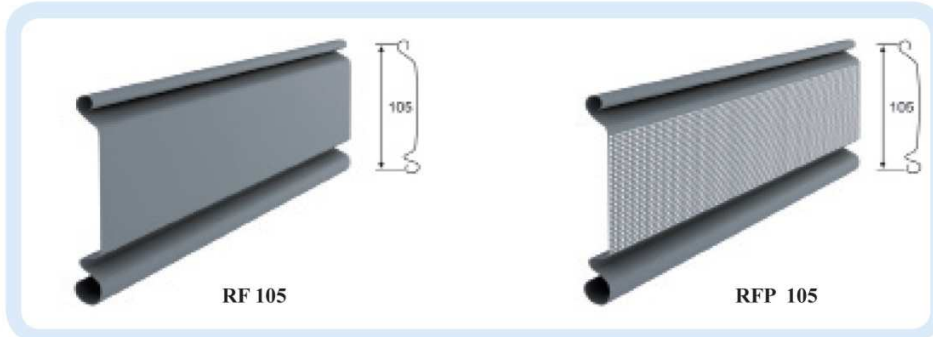
### RF 75 PLAIN SLATS / RP 75 PERFORATED SLATS – GALVANIZED STEEL

Ref. Code	Description	Pitch (mm)	Thickness (mm)	Weight (Kg/m <sup>2</sup> )		Max. Area (Sqm)		Max. High (Mtrs)	Size of Perforation for RFP 75 Ø mm
				RF75 / RFP75	RF75 / RFP75	RF75 / RFP75	RF75 / RFP75		
RF75 RFP75	Galvanized Steel Plain Slat/Perforated Slat	75	0.6	7.6 6.5	12	4	3	2.5	
RF75 RFP75	Galvanized Steel Plain Slat/Perforated Slat	75	0.7	8.5 7.5	15	5	3	2.5	
RF75 RFP75	Galvanized Steel Plain Slat/Perforated Slat	75	0.8	10 8.5	24	6	4	2.5	
RF75 RFP75	Galvanized Steel Plain Slat/Perforated Slat	75	1.0	12.6 10.71	35	7	5	3.5	
RF75 RFP75	Galvanized Steel Plain Slat/Perforated Slat	75	1.2	15.1 12.8	50	10	5	3.5	

### PLAIN & PERFORATED SLATS – STAINLESS STEEL & ALUMINIUM

Ref. Code	Description	Pitch (mm)	Thickness (mm)	Weight (Kg/m <sup>2</sup> )		Max. Area (Sqm)		Max. High (Mtrs)	Size of Perforation Ø mm
				RF75 / RFP75	RF75 / RFP75	RF75 / RFP75	RF75 / RFP75		
RFSS-75	Stainless Steel Plain Slats Grade SS 304	75	0.8	11	36	6	6	—	
RFPSS-75	Stainless Steel Perforated Slats Grade SS 304	75	0.8	8.75	36	6	6	2.5	
RFAL-75	Aluminum Plain Slats Grade 3105	75	1.2	6	36	6	6	—	
RFPAL-75	Aluminum Perforated Slats Grade 3105	75	1.2	4.5	36	6	6	3.5	

- Notes :**
- Type of Steel : ASTM A 366 with Galvanizing ASTM A 653 . Type of Aluminium : ASTM B 209.
  - Powder Coating available with Standard Rollc Colors : 9016,5018, 9010, 1015, 7040, 1001, 3020, 6021, 5013, 8017 .



## RF 105 PLAIN SLATS / RP 105 PERFORATED SLATS – GALVANIZED STEEL

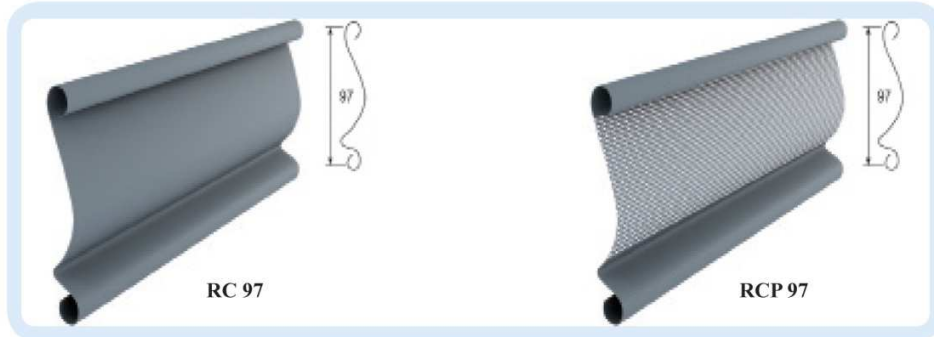
Ref. Code	Description	Pitch (mm)	Thickness (mm)	Weight (Kg/m <sup>2</sup> ) RF105 / RFP105	Max.Area (Sqm) RF105 / RFP105	Max. Width (Mtrs)	Max. High (Mtrs)	Size of Perforation for RFP 105 Ø mm
RF105 RFP105	Galvanized Steel Plain Slat/Perforated Slat	105	0.6	7.33 6.23	16	4	4	2.5
RF105 RFP105	Galvanized Steel Plain Slat/Perforated Slat	105	0.7	8.57 7.28	22.5	5	4.5	2.5
RF105 RFP105	Galvanized Steel Plain Slat/Perforated Slat	105	0.8	9.71 8.25	32.5	6.5	5	2.5
RF105 RFP105	Galvanized Steel Plain Slat/Perforated Slat	105	1.0	12.2 10.37	44	8	5.5	3.5
RF105 RFP105	Galvanized Steel Plain Slat/Perforated Slat	105	1.2	14.62 12.46	78	13	6	3.5

## PLAIN & PERFORATED SLATS – STAINLESS STEEL & ALUMINIUM

Ref. Code	Description	Pitch (mm)	Thickness (mm)	Weight (Kg/m <sup>2</sup> ) RF105 / RFP105	Max.Area (Sqm) RF105 / RFP105	Max. Width (Mtrs)	Max. High (Mtrs)	Size of Perforation Ø mm
RFSS-105	Stainless Steel Plain Slats Grade SS 304	105	0.8	10	42	7	6	—
RFPSS-105	Stainless Steel Perforated Slats Grade SS 304	105	0.8	8.5	42	7	6	2.5
RFAL-105	Aluminium Plain Slats Grade 3105	105	1.2	5.75	42	7	6	—
RFPAL-105	Aluminium Perforated Slats Grade 3105	105	1.2	4.5	42	7	6	3.5

- Notes :**
- Type of Steel : ASTM A 366 with Galvanizing ASTM A 653 . Type of Aluminium : ASTM B 209 .
  - Powder Coating available with Standard Rollc Colors : 9016,5018, 9010, 1015, 7040, 1001, 3020, 6021, 5013, 8017 .

## Rolling Shutters



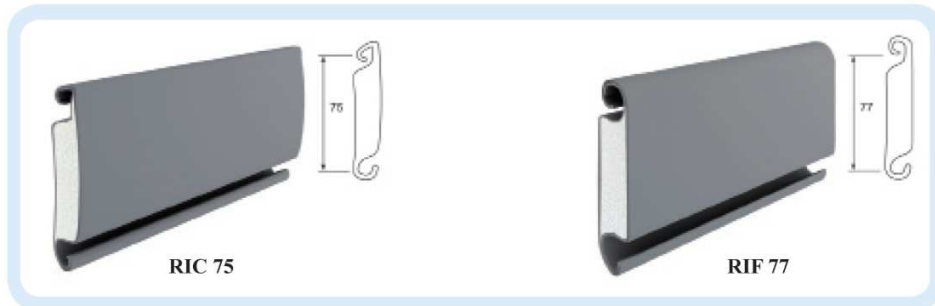
### RC 97 CURVED PLAIN SLATS / RCP 97 CURVED PERFORATED SLATS

Ref. Code	Description	Pitch (mm)	Thickness (mm)	Weight (Kg/m <sup>2</sup> )	Max.Area (Sqm)	Max. Width (Mtrs)	Max. High (Mtrs)	Size of Perforation for RCP 97 Ø mm
RC 97 RCP 97	Galvanized Steel Curved Plain Slats/ Perforated Slats	97	0.8	11.66 9.91	48	8	6	2.5
RC 97 RCP 97	Galvanized Steel Curved Plain Slats/ Perforated Slats	97	1.0	14.57 12.38	66	11	6	3.5
RC 97 RCP 97	Galvanized Steel Curved Plain Slats/ Perforated Slats	97	1.2	17.47 13.6	84	14	6	3.5

### PLAIN & PERFORATED SLATS – STAINLESS STEEL & ALUMINIUM

Ref. Code	Description	Pitch (mm)	Thickness (mm)	Weight (Kg/m <sup>2</sup> )	Max.Area (Sqm)	Max. Width (Mtrs)	Max. High (Mtrs)	Size of Perforation Ø mm
RCSS-97	Stainless Steel Curved Plain Slats Grade SS 304	97	0.8	12	60	10	6	—
RCPSS-97	Stainless Steel Curved Perforated Slats Grade SS 304	97	0.8	10	60	10	6	2.5
RCAL-97	Aluminum Curved Plain Slats Grade 3105	97	1.2	6.6	66	11	6	—
RCPAL-97	Aluminum Curved Perforated Slats Grade 3105	97	1.2	5.2	66	11	6	3.5

- Notes:**
- Types of steel: ASTM A 366 with Glavanizing ASTM A 653. Type of Aluminium: ASTM B 209.
  - Powder Coating available with Standard Rollc Colors : 9016,5018, 9010, 1015, 7040, 1001, 3020, 6021, 5013, 8017.



### RIC 75 INSULATED CURVED SLATS

Ref. Code	Description	Pitch (mm)	Thickness (mm)	Weight (Kg/m <sup>2</sup> )	Max.Area (Sqm)	Max. Width (Mtrs)	Max. High (Mtrs)
RIC 75	Galvanized Steel Insulated Curved Slat	75	21m m	22	60	10	6

### RIF 77 INSULATED FLAT SLATS

Ref. Code	Description	Pitch (mm)	Thickness (mm)	Weight (Kg/m <sup>2</sup> )	Max.Area (Sqm)	Max. Width (Mtrs)	Max. High (Mtrs)
RIF 77	Galvanized Steel Insulated Flat Slat	77	21m m	22	60	10	6

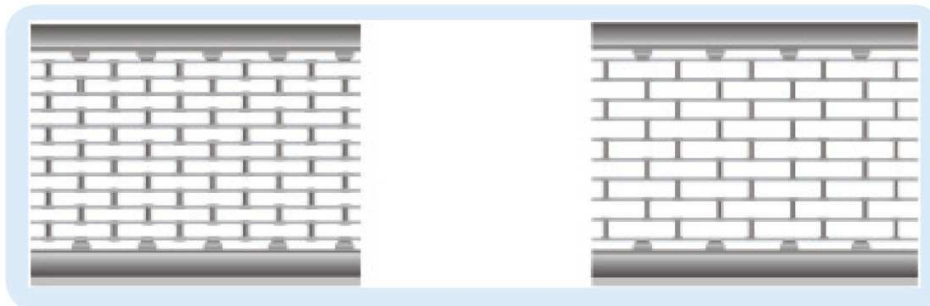
- Notes:**
- Types of steel: ASTM A 366 with Glavanizing ASTM A 653.
  - Powder Coating available with Standard Rollc Colors: 9016,5018, 9010, 1015, 7040, 1001, 3020, 6021, 5013, 8017.
  - Polyurethane injected with R-Value 6.0.



### RPOLC1 POLYCARBONATE

Ref. Code	Description	Pitch (mm)	Thickness (mm)	Wight (Kg/m <sup>2</sup> )	Max.Area (Sqm)	Max. Width (Mtrs)	Max. High (Mtrs)
RPOLC 1	Polycarbonate	100	2/3	3.5	29	5.8	5

## Grills Rolling Shutters

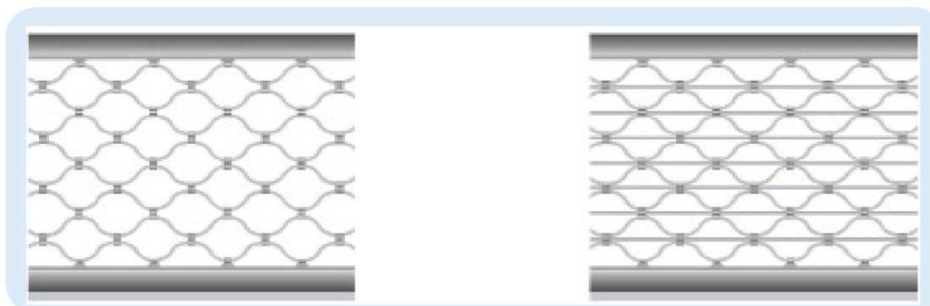


RGB 58

RGB 100

### RGB BRICK TYPE GRILLS

Ref. Code	Description	Pitch (mm)	Thickness (mm)	Weight (Kg/m <sup>2</sup> )	Max.Area (Sqm)	Max. Width (Mtrs)	Max. High (Mtrs)
RGB 58	Galvanized Grill Brick Type- 58	14	1.2	7	30	6	5
RGB 100	Galvanized Grill Brick Type- 100	14	1.2	7	30	6	5



RGS 145

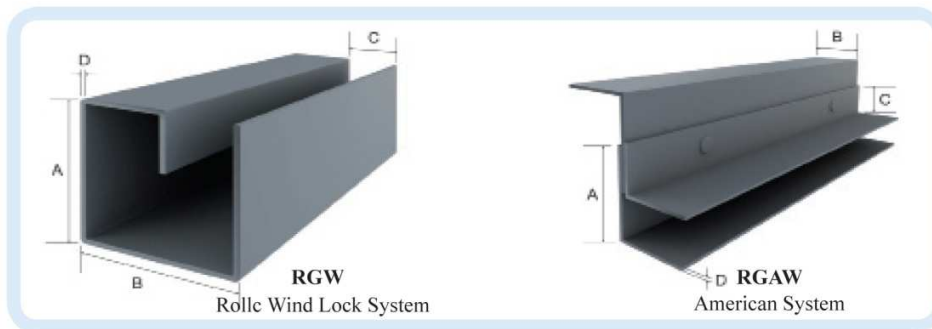
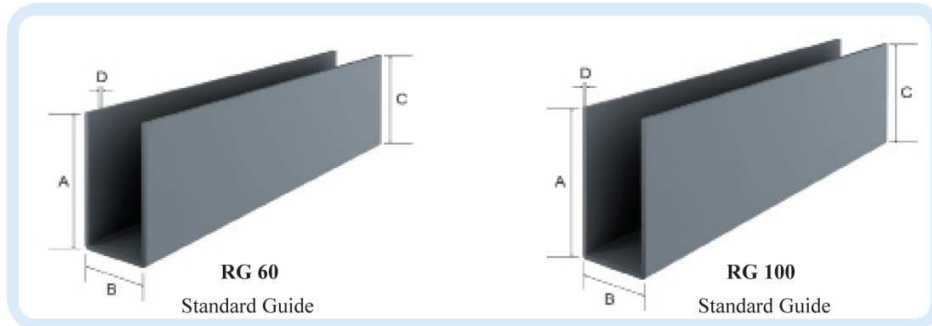
RGS 160

### RGB STANDARD GRILLS

Ref. Code	Description	Pitch (mm)	Thickness (mm)	Weight (Kg/m <sup>2</sup> )	Max.Area (Sqm)	Max. Width (Mtrs)	Max. High (Mtrs)
RGS 145	Galvanized Steel Standard Grill ( 2-Tube )	14	1.2	6	30	6	5
RGS 160	Galvanized Steel Standard Grill ( 3-Tube )	14	1.2	8	54	9	6

- Notes:
- Types of steel: ASTM A 366 with Glavanizing ASTM A 653. Type of Aluminium: ASTM B 209.
  - Powder Coating available with Standard Rollc Colors : 9016,5018, 9010, 1015, 7040, 1001, 3020, 6021, 5013, 8017.





GUIDES						
Ref. Code	Description	A (mm)	B (mm)	C (mm)	D (mm)	Max.Height (Mtrs)
RG 60	Standard Guide	60	30	60	2	5
RG 100	Standard Guide	100	34	100	2	5
RGW	Wind Lock Guide	100	55	30	3	6
RGAW	American Design	75	60	60	5	7

- Notes:
- Types of steel: ASTM A 366 with Glavanizing ASTM A 653.
  - Powder Coating available with Standard Rolle Colors 9016,5018, 9010, 1015, 7040, 1001, 3020, 6021, 5013, 8017.

## Rolling Shutter with Win Lock System

### CURTAIN

ROLLC Wind Lock Mechanism Shutter consist of interlocking curved profile slats up to 1.2mm. thick, produced from galvanized, Steel with Wind Lock System Furnished on alternate Slats to withstand 85 m.p.h.

### CLIPS

Slats are secured in position using steel end locks and wind locks riveted to the ends of every slat which stops the slats from moving side ways, thereby preventing the curtain from jamming and with standing the wind pressure .

### BOTTOM RAIL

The bottom rail is double steel angle 50mm x 50mm x 3mm x 3mm.A rubber bottom rail weather seal is included as standard equipment .

### GUIDES

Wind Lock Guide Model RA 75 or model RGW 75 designed to resist high wind pressure. The top of guides is flared outwards and flanges welded for ease of curtain entry into the channels .

### SHAFT

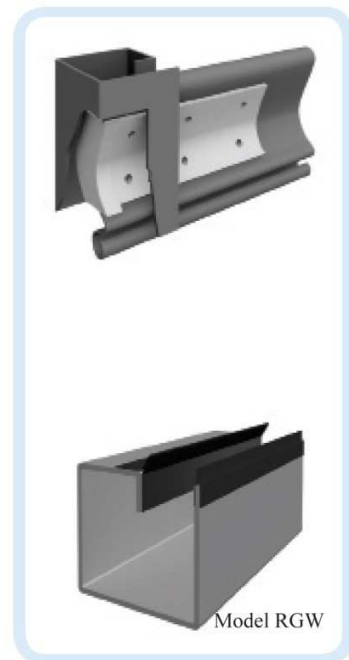
Shaft of specific size is designed to give a high factor of operating safety and minimum deflection .

### BRACKETS

5mm thick steel brackets with bearing , bolted to the guide wall extension which supports barrel and forms end closures .

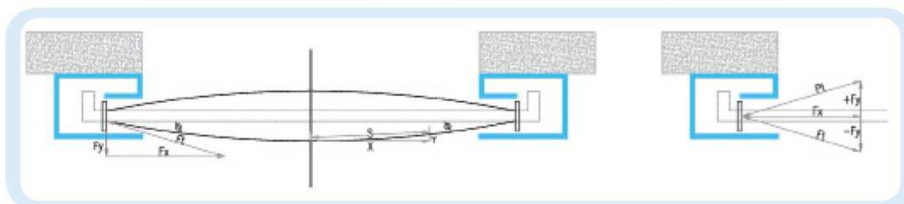
### OPERATION

Push-up, hand chain or motor operation.(for optional features see motor operator section in this catalog ).



### Windload Forces

### Reaction Forces on guide Angles





### Rollc Fire Rated Shutters

**Rolling Fire Doors manufactured by Rollc are classified for a 2-3 hour rating. They carry the Label of Underwriter's Inc for passing UL test procedure 10B .**

#### CURTAIN

Curtains shall be constructed of interlocking slats model RC97 FR2/3, curved faced 1-1.2mm. thick, ASTM A 366 cold rolled steel with galvanizing standard ASTM A 653 steel zinc coating insulated fire rated shutter 2 Hours model RIFA77, curtain shall be equipped with a bottom bar consisting of two structural steel angles (75 mm. x 75 mm. x 8 mm.) of equal weight, one on each side, securely fastened to the bottom of curtain for reinforcement and to provide contact against the ridge when closed .



#### BARREL SHAFT ASSEMBLY

Steel pipe barrel of size capable of carrying curtain load with maximum deflection of 0.01" per ft. of door width.

#### BRACKETS

Brackets having 6mm thickness used.

#### GUIDES

Fabricated with minimum 5mm. thick structural steel angles (ASTMA 123, Grade 85 zinc coating, hot-dip galvanized after fabrication). Top of inner and outer guide angles to be flared outwards to form bellmouth for smooth entry of curtain into guides .

Guides are provided with removable guide stoppers to prevent over travel of curtain and bottom bar.

#### OPERATION

GFA Elektromaten Motor, horsepower as recommended by manufacturer, 230/280,3 phase service.

Provide open drip-proof motor, removable without affecting setting of limit switches; thermal overload protection; solenoid brake; planetary reduction gearing and rotary limit switches; transformer with 24v control secondary; and all integral electrical components prewired to terminal blocks. Automatic closure shall be activated by fusible link [or a local smoke/fire detector] [or a central smoke/fire alarm system ].

When automatic closure is activated, electric sensing edge and push button are inoperable. Doors shall be fail-safe and close upon power failure.

(For optional feature see motor operators section in this catalog).

## Rollc Fire Rated Shutters

### CLIPS

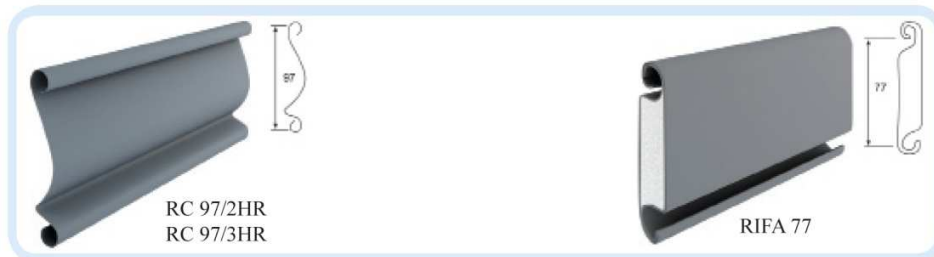
Slats are secured in position using steel end-clips on alternate slats which stops the slat from moving side ways, thereby preventing the curtain from jamming.

### BOTTOM RAIL

The bottom rail is double steel angle 70mm.x70mm.x5mm. ASTM A 123, Grade 90 zinc coating, hot dip galvanized .

### HOOD

22 gauge galvanized steel with reinforced top and bottom edges. Provide minimum 6.35mm. steel intermediate support brackets as required to prevent excessive sag .



RC 97/2HR  
RC 97/3HR

RIFA 77

### FIRE RATED PROFILE NON INSULATED ( 2HR , 3HR )

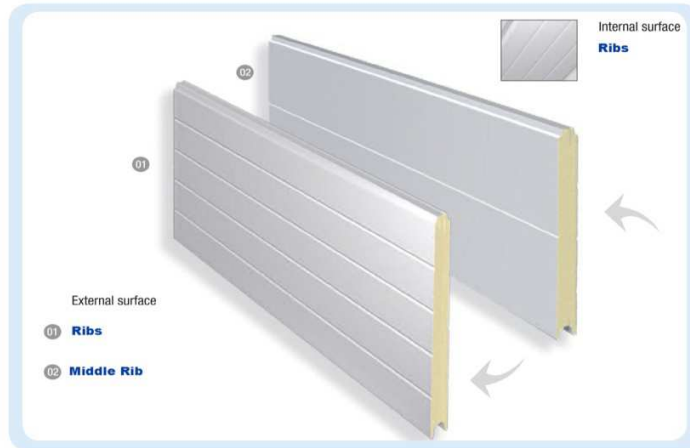
Ref. Code	Description	Pitch (mm)	Thickness (mm)	Weight (Kg/m <sup>2</sup> )	Max.Area (Sqm)	Max. Width (Mtrs)	Max. High (Mtrs)	Size of Perforation for RCP 97 Ø mm
RC 97/2H	Fire Shutter Galvanized Steel Curved Plain Slat 2 hour	97	1.0	14.57 12.38	66	11	6	3.5
RC 97/3H	Fire Shutter Galvanized Steel Curved Plain Slat 3 hour	97	1.2	17.47 13.6	84	14	6	3.5

### RIFA 77 FIRE PROFILE INSULATED

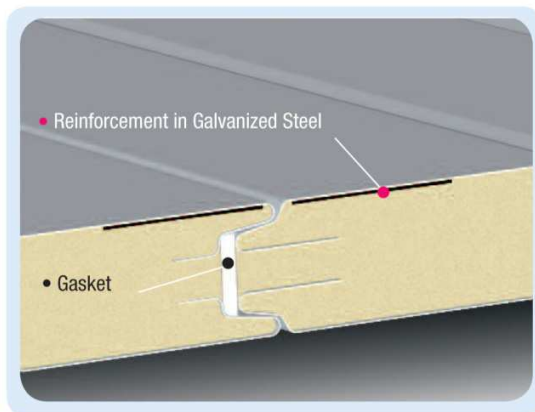
Ref. Code	Description	Pitch (mm)	Thickness (mm)	Weight (Kg/m <sup>2</sup> )	Max.Area (Sqm)	Max. Width (Mtrs)	Max. High (Mtrs)
RIFA77	Fire Shutter Galvanized Steel Insulated Flat Slat 2 hour	77	21mm	22	48	8	6

- Notes:**
- Types of steel: ASTM A 366 with glavanizing ASTM A 653.
  - Powder Coating available with Standard Rollc Colors: 9016,5018, 9010, 1015, 7040, 1001, 3020, 6021, 5013, 8017.
  - Rockwood injected with R-value 6.0 .

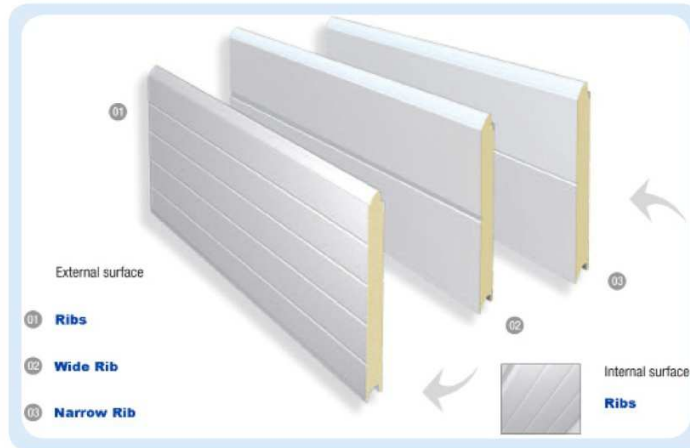
## Over Head Sectional Garage Doors



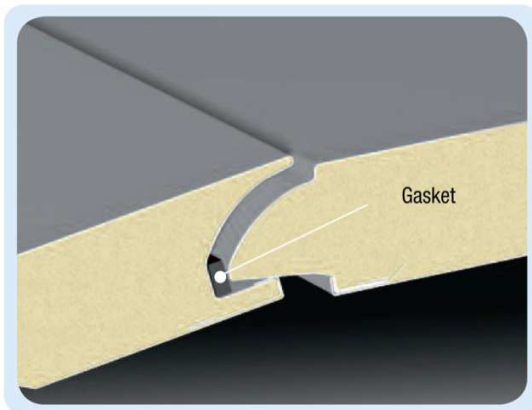
Steel Support		Panel Module		
		500	610	
Thickness(mm)		40		
Panel Weight - (Kg/ml.)		with reinforcement	5,16	6,02
		without reinforcement	4,57	5,43
U(W/m K)	value including joint contribution	0,578	0,570	
	value without joint contribution	0,535		



# Sectional Doors



Steel Support		Panel Module	
		500	610
Thickness(mm)		40	
Panel Weight - (Kg./ml.)		4,88	5,45
U(W/m K)	value including joint contribution	0,578	0,570
	value without joint contribution	0,535	





GERMANY  
www.gfa-elektromaten.de

## Side Motor For Rolling Shutter GFA-SI:Series

Elektromaten Series		SI 17.15 SG63F	SI 25.10 SG85F	SI 25.15 SG85F	SI 25.15 WS SG85F	SI 40.10 SG85F	SI 40.15 SG85F
Output torque	Nm	170	250	250	250	400	400
Output speed	rpm	15	10	15	15	10	15
Hollow - shalt	mm	30	30	30	30	40	40
Locking torque	Nm	510	635	635	635	1020	1020
Safety brake (Approval Number) Permitted Open/ Close output speed in frequency- inverter operating mode	rpm	TorFV 4 / 024 26 / 15	TorFV 4 / 025 18 / 15	TorFV 4 / 025 26 / 15	TorFV 4 / 025 —	TorFV 4 / 025 18 / 15	TorFV 4 / 025 26 / 15
Motor Power	kw	0.40	0.55	0.40	0.75	0.75	1.10
Supply Voltage, Frequency	V-Hz	3x230/400 -60	3x230/400 -60	3x230/400 -60	1x230-60	3x230/400 -60	3x230/400 -60
Nominal current	A	4.3/2.5	3.5/2.0	3.1/1.8	8.0	4.8/2.8	4.6/2.7
Motor duty cycle	ED	S3-60%	S3-60%	S3-60%	S3-60%	S3-60%	S3-60%
Max. cycle per hour		20	20	20	14	16	16
Supply Side wiring / fusing ( delayed action)		5x1.5 <sup>2</sup> 10A	5x1.5 <sup>2</sup> 10A	5x1.5 <sup>2</sup> 10A	3x1.5 <sup>2</sup> 10A	5x1.5 <sup>2</sup> 10A	5x1.5 <sup>2</sup> 10A
Limit switch range		20	20(60,110)	20(60,110)	20(60,110)	20(60,110)	20(60,110)
Max. hand force NHK / KNH	N	75/100	85/110	85/110	85/110	130/75	130/75
Elektromaten Weight	kg	15.5	23	21	27	26	28



GFA-SI:40.15

## Side Motor For Rolling Shutter GFA-SI:Series

Elektromaten Series		SI 55.15 SG85F	SI 55.15 SG85F	SI 75.10 SG115F	SI 75.15 SG115F	SI 100.10 SG115F	SI 140.7 SG115F
Output torque	Nm	550	550	750	750	1000	1400
Output speed	rpm	10	15	10	15	10	7
Hollow - shalt	mm	40	40	55	55	55	55
Locking torque	Nm	1400	1400	2840	2840	2840	2840
Safety brake (Approval Number) Permitted Open/ Close output speed in frequency- inverter operating mode	rpm	TorFV 4 / 025 18 / 18	TorFV 4 / 025 26 / 26	TorFV 4 / 026 18 / 18	TorFV 4 / 026 26 / 26	TorFV 4 / 026 18 / 18	TorFV 4 / 026 12 / 12
Motor Power	kw	0.75	1.10	1.10	1.10	1.30	1.10
Supply Voltage, Frequency	V-Hz	3x230/400 -60	3x230/400 -60	3x230/400 -60	1x230-60	3x230/400 -60	3x230/400 -60
Nominal current	A	8.0/4.6	7.3/4.2	7.8/4.5	7.1/4.1	11.3/6.5	7.1/4.1
Motor duty cycle	ED	S3-60%	S3-60%	S3-60%	S3-40%	S3-60%	S3-60%
Max. cycle per hour		16	16	14	14	12	10
Supply Side wiring / fusing ( delayed action)		5x1.5 <sup>2</sup> 10A	5x1.5 <sup>2</sup> 10A	5x2.5 <sup>2</sup> 16A	5x2.5 <sup>2</sup> 16A	5x2.5 <sup>2</sup> 16A	5x2.5 <sup>2</sup> 16A
Limit switch range		20(60,110)	20(60,110)	20(60,110)	20(60,110)	20(60,110)	20(60,110)
Max. hand force NHK / KNH	N	285/165	285/165	285/230	285/230	345/280	250/200
Elektromaten Weight	kg	30	30	47	47	49	55



GFA-SI:140.7

## Side Motors



### Side Motor For High Speed Doors GFA-SI: Series

Elektromaten Series		SI 6.115 SG50F	SI 4.5.80 SG50F	SI 4.115 SG50F	SI 3.5.160 SG50F
Output torque	Nm	60	45	40	35
Output speed	rpm	115	80	115	160
Hollow - shaft	mm	25/25.4/30	25/25.4/30	25/25.4/30	25/25.4/30
Locking torque	Nm	310	310	310	310
Safety brake (Approval Number) Permitted Open/ Close output speed in frequency-inverter operating mode	rpm	TorFV4 / 023 200 / 120	TorFV4 / 023 140 / 80	TorFV4 / 023 200 / 120	TorFV4 / 023 230 / 160
Motor Power					
Supply Voltage, Frequency	kw	0.65	0.37	0.37	0.45
Nominal current	V-Hz	3x230/400/60	3x230/400/60	3x230/400/60	3x230/400/60
Motor duty cycle	A	3.1/1.8	2.1/1.2	2.1/1.2	1.9/1.1
Max. cycle per hour	ED	S3-60%	S3-60%	S3-60%	S3-60%
Supply Side wiring / fusing (delayed) action		20	20	20	20
Limit switch range		5x1.52 / 10A	5x1.52 / 10A	5x1.52 / 10A	5x1.52 / 10A
Max. hand force NHK / KNH		20(14)	20(14)	20(14)	20(14)
Elektromaten Weight	N	170	130	115	115



GFA-SI:3.5.160

### Side Motor for Fire Shutters GFA Fs Series

Elektromaten		Fs 28.24	Fs 50.24	Fs 100.20
Output torque	Nm	280	500	1000
Output speed	rpm	24(36)	24(32)	20(26)
Hollow - shaft	mm	30	40	50
Restoring torque	Nm	20	30	40
Motor Power	kw	0.45	0.90	1.10
Supply Voltage, Frequency	V-Hz	3x400-60	3x400-60	3x400-60
Nominal current	A	2.0	2.7	4.1
Motor duty cycle	ED	S3-60%	S3-60%	S3-60%
Max. cycle per hour		16	12	10
Supply Side wiring / fusing (delayed action)		5x1.5 / 10A	5x1.5 / 10A	5x1.5 / 10A
Limit switch range		20(40)	20(40)	20(40)
Elektromaten Weight	kg	45	70	105
Part.no.installation drawing		50000995	50000996	50000997
Part.no.installation Elektromaten		10003375		10003825



GFA Fs Series

The following Applies for all Elektromaten : protection IP54,Permissible temperature range- 5C to +45C,operating sound pressure level SPL 70dB(A)

1 read notes in 4.2 and 5.6.3 The operating current in door drives can reach up to 4x the rated current for limited periods, read notes in 5.4 .

4 read notes in 5.2.5 Maximum possible revolutions of output-shaft.



Central Motor For Rolling Shutter



www.acmdoo.net



TECHNICAL SPECIFICATION	
Power Supply	220V 60Hz
Torque	200 Nm
R.P.M	8
Limit switch range	6
Cut out temperature	4 Min .
Power absorbed	630 W
Consumption	2.7 A
Weight	10 Kg
Lifting	180 Kg
Tube rolling shutter	Ø 76
Pulley	Ø 240



TECHNICAL SPECIFICATION	
Power Supply	220V 60Hz
Torque	260 Nm
R.P.M	10
Limit switch range	6
Cut out temperature	4 Min .
Power absorbed	1260 W
Consumption	5.4 A
Weight	14 Kg
Lifting	280 Kg
Tube rolling shutter	Ø 60
Pulley	Ø 200

TECHNICAL SPECIFICATION	
Power Supply	220V 60Hz
Torque	145 Nm
R.P.M	10
Limit switch range	6
Cut out temperature	4 Min .
Power absorbed	630 W
Consumption	2.7 A
Weight	9 Kg
Lifting	160 Kg
Tube rolling shutter	Ø 60**
Pulley	Ø 200*



TECHNICAL SPECIFICATION	
Power Supply	220V 60Hz
Torque	400 Nm
R.P.M	8
Limit switch range	6
Cut out temperature	4 Min .
Power absorbed	1260 W
Consumption	5.4 A
Weight	17 Kg
Lifting	360 Kg
Tube rolling shutter	Ø 76
Pulley	Ø 240



## Automatic Doors



www.tormax.com

TORMAX is one of the world's leading suppliers of high-quality automatic door systems for the pedestrian access sector .

TORMAX develops, produces and markets systems and components for automatic doors via an international network of subsidiaries and independent sales partners .

TORMAX is one of the world's leading suppliers of high-quality automatic door systems for the pedestrian access sector .

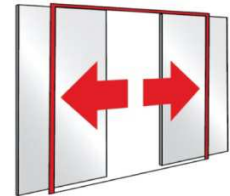
TORMAX develops, produces and markets systems and components for automatic doors via an international network of subsidiaries and independent sales partners .

### Sliding Doors

Our Slide Door range represents the highest quality automatic door systems. Each door can be individually configured .Slide Door doors are designed to meet the customer's changing requirements. Its flexible design enables additional sensors and safety measures (e.g. locks) to be fitted and it can also be used for rescue and escape routes .



Automatic Sliding Doors System

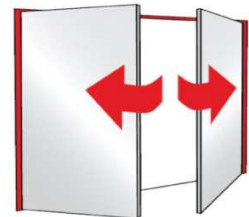


### Swing Doors

In the Swing Door range you will find the right drive for any type of Swing Door. Operating discreetly, Swing Door drives are extremely easy to service. Automatic detection of obstacles, safe manual operation in the event of a power failure and the capability of fitting the doors with a panic devices for use as escape routes are only some of the many safety characteristics of the Swing door .



Automatic Swing Doors System

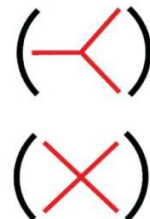


### Revolving Doors

Tormax Revolving Doors provide lasting appeal. This is ensured by superb and consistent product quality and a host of uncompromising safety measures. High safety standards are provided by factory-integrated / checked safety features such as speed limitation,emergency brake, safe starting and finger protection .



Automatic Revolving Doors System





www.beninca.com

### BOB50M

We have expanded the BOB range and with the two new BOB30M and BOB50M models, the new range of automatic featuring a unique design and performance is new more than ever able to meet the market's various needs available 230Vac and 24 Vdc versions for gates up to 2.1 m, BOB21 up to 3 m, BOB30 and BOB50 up to 5 m. All three versions are available with or without encoder. Technology, research on materials, quality and design are the ingredients of Italian-made manufacturing for a product that is already a reference point on international markets. BOB the evolution of automatic on the market.

### BISON

New generation of sliding motor for industrial use from 2000 to 4500 kg, the BISON range combines all the strength and power of high-performance motor in an absolutely innovative design for motor of this category.

Ventilated and easily accessible motor, as it is located on the upper part of the motor. All the models, whether single-phase, three phase and with encoder or inverter can be fitted with side integrable photocells.

### VE.650

- Electromechanical road barrier for passages up to 6.5 m, intensive use with great performances.
- Safety guaranteed by low voltage.
- Easy installation programming of the barrier
- Stainless Steel version available.
- Possibility of integrated FTC.S photocells thanks to the innovative hide-away system that enables them to be perfectly integrated with look, ensuring maximum functionality.

### Our Products:

- Gate Barriers.
- Sliding gate Operator.
- Swing Gate Operator.
- Bollards.



Swing Operator



Sliding Operator



Rising Bollard



Gate Barrier

## Rolle Fast Action Doors

### TECHNICAL DATA FOR DOOR:

**Metallic structure** in self bearing galvanized steel, with 2 "U" bent vertical posts, top horizontal bar with shaft and gears inside .

**Movement** is by means of rolling shaft, and connected with motoreducer .

**All the side metallic structure** is protected by nylon brushes, to avoid any scratch on fabric when running .

**Galvanized steel bar** are horizontally inserted in PVC canvas approx. each 400mm

**Class 2** self-extinguishing double coated PVC canvas, weight 750 gr/sqm

**Using temperatures** : from -30° C till + 70° C .

**Opening and closing speed** : approx. 1m/sec .



### PVC FABRIC - TECHNICAL DATA

Product	B.C.
Base fabric ( DIN 60001 )	% 100 PES
Yarn ( DIN 53830 )	1100 dtex
Weave ( DIN 61101 )	cloth 1/1
Type of coating	PVC
Total weight - raw fabric ( DIN 53352 )	750 gr./sq.mt
Tensile strenght ( DIN 53354 ) - Wrap/weft	3000/2800 N/50 mm
Tear strenght ( DIN 53363 ) - Wrap/weft	300/300
Adhesion ( Complan norms )	20 N/cm
Cold resistance ( DIN 53361 )	25 ° C
Heat resistance	+70 ° C
Deminsional stability , shrinkage and elongation after influence of heat (Complan norms ) (24h. at 70° C )	< 1
Light - fastness ( DIIN 54004 )	> 6
Flam retardancy	FR Cl.II
Finish	fungicide treatment

### Available colours for pvc shutter :



### Motion Optionals :

- Operating Buttons
- Photocells
- Radar
- Receiver remote controls with antena
- Induction loops
- Key switch
- Colours assy



**Safe High Speed Door Solutions - Costs effectiveness through quality engineering.**

Since 1974 EFAFLEX was the first company worldwide which exclusively dealt with high-speed doors. And they knew what they did! Since this vision made up the edge on our competitors from the first day. Today, EFAFLEX is THE brand manufacturer of safe high-speed doors and the unchallenged technology leader. The company has more than 800 employees worldwide .

Benefit from EFAFLEX's global experience in supplying high-speed doors solutions many Industries .

Benefit from the outstanding German quality engineering and manufacturing. Every high-speed door from EFAFLEX is an investment that pays off from day one!

The fast opening and closing speeds of our doors make sure only a minimum of energy is lost to the outside, they accelerate your logistic processes and reduce waiting time – with EFAFLEX safe high-speed doors you reduce your costs right away!

EFA-SST® high-speed spiral door - The energy-saving door for closing large halls.

Insulated with an opening speed of max 2,5m/s and up to 250.000 cycles per year the EFA-SST high speed spiral door provides an excellent performance to our customers .



**EFA-STT® high-speed turbo door - The transparent door.**

Due to its laths which are made of crystal clear acrylic glass, the door leaf of the EFA-STT® is transparent at more than 70% - this fact makes it a worldwide unique high-speed door : robust but nevertheless completely transparent.



www.pentalift.com

With over 20 years of experience manufacturing quality loading dock equipment, Pentalift is your single-source supplier for loading dock levelers, elevating dock lifts, dock seals & shelters, vehicle restraints, and much more .

### Hydraulic Dock Levelers

Pentalift Hydraulic Dock Levelers provide superior value through prolonged, trouble-free performance. They are designed to provide the highest level of safety through automatic push button operation. The Pentalogic hydraulic manifold revolutionized hydraulic control circuitry by eliminating multiplex, valve assemblies which can cause on-site adjustments, oil leaks, and hydraulic component failure .

Designed to provide reliability, safety, and performance



Pentalift Hydraulic Dock Levelers



Pentalift Mechanical Dock Levelers

### Mechanical Dock Levelers

Pentalift Mechanical Dock Levelers are designed to meet the needs of today's loading docks. They are semi-automatic and require no manual lifting. A simple pull chain, positioned at the rear of the deck, engages and releases the dock. The patented Easy Float Hold Down and Posilock Lip Operator make this the safest mechanical leveler available .

Easy Float brake band lets the deck assembly float with the trailer while in use

### Vertical Storing Dock Levelers

Pentalift Vertical Storing Dock Levelers are hydraulically operated dock levelers which are typically installed in applications where safety, cleanliness, security, and energy savings are required in one design. This style of leveler is ideally suited for cold storage, food processing, and pharmaceutical operations .

Featuring a powered up and down hydraulic system which stores in a safe over centered position



Pentalift Vertical Storing Dock Levelers



Pentalift Hydraulic Edge of Dock Levelers

### Edge of Dock Levelers

Pentalift Edge of Dock Levelers, available in both hydraulic and mechanical models, are a lower cost alternative to a pit style dock leveler. The engineering and design features of the Pentalift Hydraulic Edge of Dock Leveler ensure trouble-free, reliable operation resulting in a maximum return on investment .

Easily accessible from the dock face for service



### Vehicle Restraint Systems

Pentalift offers a wide range of mechanical and automatic vehicle restraint systems designed to improve safety and prevent accidents at the loading dock. The cost of an industrial accident at the loading dock can easily exceed \$1,000,000 and result in increased insurance cost. A range of models allow you to select the proper solution for your application. All models have light and sign systems available to improve the communication between the dock attendant and the driver .

Designed to prevent accidents before they happen



Pentalift Hydraulic Vehicle Restraints



Pentalift Dock Seals and Shelters

### Dock Seals and Shelters

Pentalift manufactures a complete range of foam and air inflatable dock seals as well as rigid, flexible, and air inflatable dock shelters. All products are designed to improve safety, protect merchandise, reduce energy cost and improve security at the loading dock. The wide range of fabric materials, configurations, and options allow you to build the best solution for your application .

Protect your product and employees

### Other Loading Dock Equipment

Pentalift also provides a wide variety of equipment to create an efficient, secure, and safe loading dock environment, including Rail DockLevelers, Truck Levelers, Safety Barriers, Wheel Chocks, Dock Lights, and Dock Bumpers, making Pentalift your ideal, single-source, loading dock supplier .

Solutions to improve safety at your loading docks



Pentalift Truck Levelers



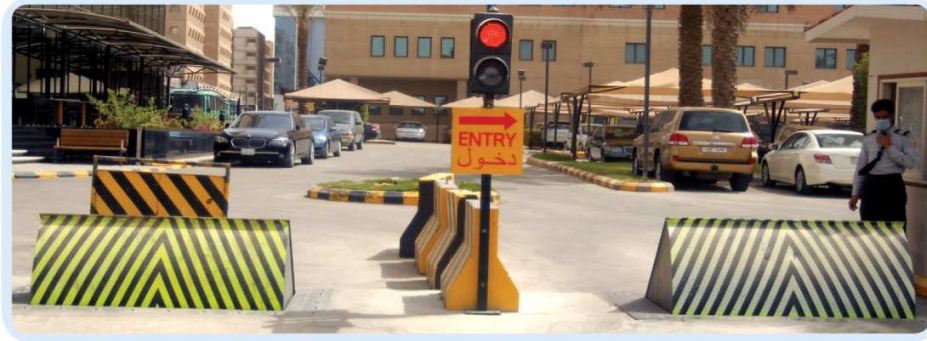
Pentalift Elevating Dock Lifts

### Elevating Dock Lifts

Elevating dock lifts are an excellent means of simplifying loading functions and creating safer working conditions where loading docks don't exist or in conjunction with dock levelers to provide greater flexibility for a busy loading dock. Pentalift pit-mounted and low-profile ground mounted elevating dock lifts provide an increased service range which will eliminate the potential of unsafe loading operations due to severe height differences between ground level and the truck's trailer bed .

Safer and more efficient than loading by ramp or by hand

## Hydraulic Road Blocker

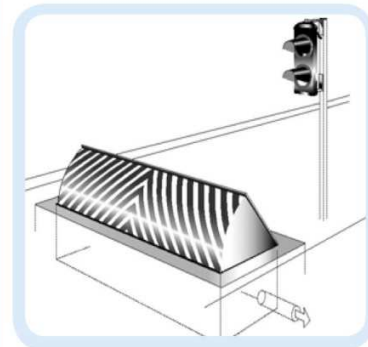


### Hydraulic Road Blocker

Type	Discription
ROLLC-RBB 2080	2m wide, 50-80 cm height (from the ground at raised position)
ROLLC-RBB 2580	2.5m wide, 60-80 cm height (from the ground at raised position)
ROLLC-RBB 3080	3m wide, 60-90 cm height (from the ground at raised position)
ROLLC-RBB 3580	3.5m wide, 60-90 cm height (from the ground at raised position)
ROLLC-RBB 4080	4m wide, 60-90 cm height (from the ground at raised position)
ROLLC-RBB 4580	4.5m wide, 60-90 cm height (from the ground at raised position)
ROLLC-RBB 5080	5m wide, 50-80 cm height (from the ground at raised position)
ROLLC-RBB 5580	5.5m wide, 50-80 cm height (from the ground at raised position)
ROLLC-RBB 6080	6m wide, 50-80 cm height (from the ground at raised position)

#### Optional Accessories

- 1- Flashing or red / green lights
- 2- Radio control receiver, transmitter and antenna
- 3- Safety Photocell, stand and casing
- 4- Inductive loop detector
- 5- Drainage Pump
- 6- Card Reader System
- 7- Manual Hand Pump
- 8- Oil Cooler/heater according to weather conditions
- 9- Uninterrupted Power Supply (UPS) to raise/lower, the road blocker few times in case of no electricity





## Roll Road Blocker

### Specification:

- Manufactured from heavy duty steel section fully welded.
- Road Blocker has variable length from 2m up to 6m and variable height from 50 – 90 height.
- Blocker front cover sheet thickness 10mm, horizontal impact resistance bar thickness 65mm/MPU/steel, vertical bar thickness 80mm/MPU/steel, over plate sheet thickness 10mm steel .
- Emergency battery volt will be 24v in the control box.
- Blocker can upward and downward by manual pump when electricity cut.
- In case of power failure road blocker can be lowered or lifted manually with the help of foot/ hand pumps and valves .
- The block barrier is produced to carry 20 tons of axle loads in closed condition.
- Lifting time of road blocker is 2 to 3 seconds in standard operation.
- Environment conditions between (- 20°C and +75°C ).

## Tyre Killer

Tyre Killer is designed for use in high security high traffic applications. It is a simple to install highly source vehicle, ideally suited for approach entrance to banks, military installations, airports, docks, cash collection depots, governments office etc .

### Features

Traffic control in one direction it can be manual, electromechanical or hydraulic as per customer requirements .



### Hangar Steel Structure

We specialize in any size steel structure and steel building development as well as the turnkey solutions required completing the commercial or industrial building. Rolc Steel is a well-known participant in the Steel Building and Steel Structure industry with several projects completed countrywide .

We will consult with you regarding your exact needs and steel building design requirements ensuring that every aspect of your company's needs is fulfilled. The steel building dimensions as well as layout and entry en exit points combined with the office area and or entrance space are all carefully considered to meet every eventuality once the steel structure and it furnishings are complete .



**Steel Hangar Building**

Compared with the Traditional Concrete Structure Building System, the Steel structure projects have a series of advantages, such as large span, low demands of base structure, strong seismic and wind resistance, beautiful appearance, shorter construction cycle, and strong corrosion resistance, non-polluted, low maintenance costs and so on

Therefore it is more and more popular with the customers. It is mainly used for large-span structures, workshops, warehouses, office buildings, large supermarkets, logistics warehouses, show-rooms, hangar, etc

Because of the diversification of steel structure material and the flexible design, the light steel structure projects can better meet customers' demands for space structures, and reasonable Economy



**Steel Hangar Building**

Fence Gate

Fence Products manufactures multiple ornamental and decorative metal fences & gates for pool fencing, backyard fencing and dog fencing. Ameristar's welded ornamental steel fences are the most popular and widely installed by contractors in the nation. Click here to find an authorized Ameristar contractor near you .

Our innovative fence designs and maintenance free coatings satisfy consumers need for high quality, affordable iron fence. Balancing Ameristar's ornamental steel fences are two varieties of residential aluminum fencing, the strongest and most durable aluminum fence on the market .



Steel Fence

The core elements of Rollc fence, gates and railings are architectural panels in steel that bolt directly onto the fence, gate or railing system uprights. This allows for quick and easy installation, simple maintenance and immense flexibility. The panels come in a variety of aesthetically pleasing styles that work visually in any environment, while surpassing the security and longevity requirements of architects and commercial property owners .

Panel designs are fabricated in both square and rectangular grid patterns as well as fixed louvers with 80% to 100% direct visual screening .

### Standard Sliding Gate

Steel sliding gate is traditional access control equipment with the feature of safe, strong, easily operation etc...

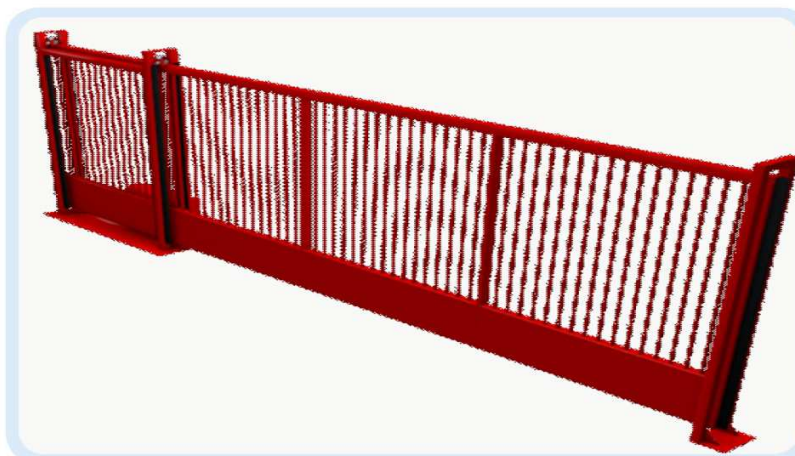
#### Why Choose Our Sliding Gates

Now you are talking about some of the best gates in the industry! Tried, tested, proven, safety aware and reliable, these are the qualities of our gates. They are usually custom built to your exact size, height, infill, finish, control and price



Steel Fence

Sliding gate manufactured from steel tube, in a horizontal profile. Operated manually and lockable with a gravity latch



Sliding Gates

Swing Gate

Standard and bespoke steel swing gates are manufactured to the highest standards by an established local gate fabricator .  
Steel gates are beautiful crafted and once fully welded and assembled they are cold galvanized to prevent future corrosion, which should give you total peace of mind when comes to ongoing maintenance .



Swing Gates

Our gates are not 'off the shelf'; they are designed and built in-house to suit your exact requirements. Your choice of span, height, infill, color and accessories .

Our experience and expertise will deliver this. If you have a budget to work to, we will see what we can produce to achieve this. As a design and build company, we aim to give the customer what he wants, when he wants it .

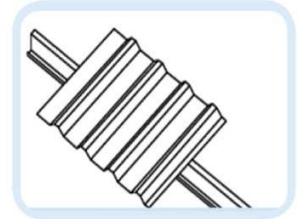


Sliding Gates

## Air Craft Hangar Doors

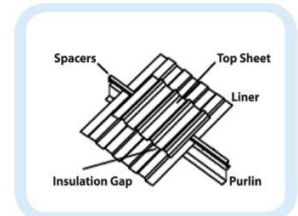
### Single Skin

Single Skin Roof Sheeting and Wall Sheeting is obviously the most economic way of covering steel framed storage warehouses .



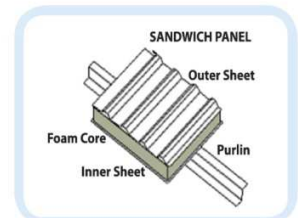
### Double Skin

Double skin insulated roof sheeting or wall sheeting or both will reduce condensation and reduce temperature change in a storage warehouse. Insulation is essential if the storage space is to be heated or cooled. A double skin roof will reduce the chances of leaks. The fiberglass insulation compacts well for sea freight. If insulation of storage warehouses is required then the double skin system is possibly the most cost effective solution. U value can vary from 0.45 W/°C/m<sup>2</sup> to 0.20 W/°C/m<sup>2</sup>.



### Composite Double Skin

Composite Double Skin Sandwich Boards can be used for roofing steel framed storage warehouses. A nearly flat mini rib composite sandwich panel can be used on walls. It can be self-finish inside and out and can have windows and doors fitted for a smart look. It is often used around main entrances and offices where the rest of the storage shed is clad with type 2 .



Jeddah & Riyadh Airport

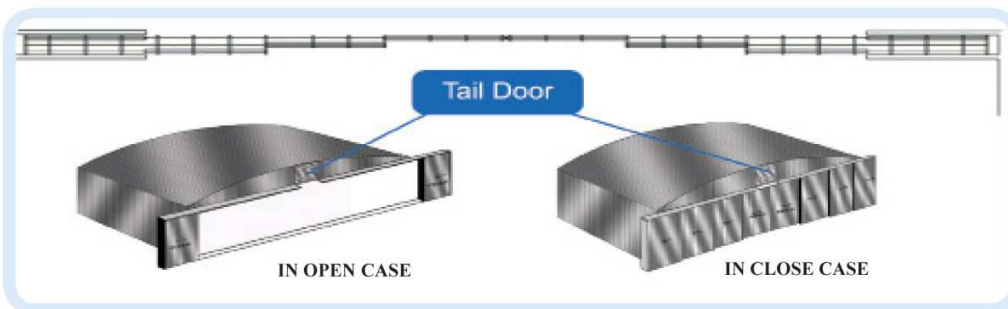


Jeddah & Riyadh Airport

## Types of Door Systems

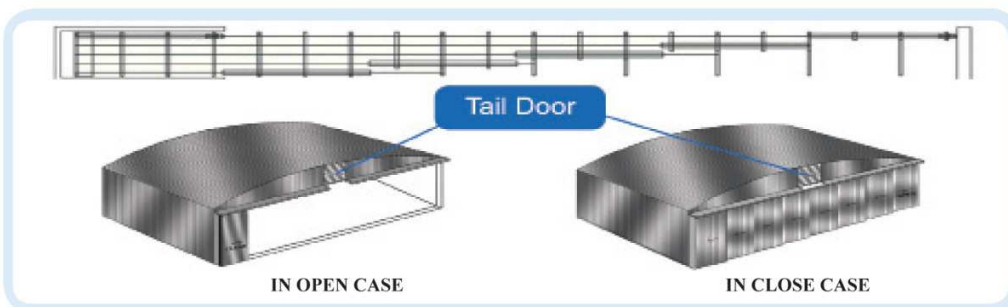
### Bi-Parting:

Door system when viewed from inside the building looking out through the opening is divided into two halves. These sections are referred to as left and right. Each half has a motorized panel and electrical components; they also have one continuous bottom rail where the motorized panels will meet. Stack both ends.



### Single Slide:

Door system where one panel contains the power supply and the electrical components. This door system has one stack located at either end of the Building.



## Hangar Doors Motor



Hangar Doors Motor ST:Series						
Elektromaten Series		ST 30.24 SG85R	ST 60.15 SG115R	ST 60.24 SG115R	ST 80.15 SG115R	ST 80.24 SG115R
Output torque	Nm	300	600	600	800	800
Output speed	rpm	24	15	24	15	24
Max. Door wight	kg	30.00	60.00	60.00	80.00	80.00
Door Speed	cm/sec	19	12	19	12	19
Output-Shaft	mm	40	50	50	50	50
Permitted Open/ Close output speed in frequency- inverter operating mode	rpm	42 / 42	26 / 26	42 / 42	26 / 26	42 / 42
Motor Power	kw	0.85	1.10	1.50	1.10	2.00
Supply Voltage, Frequency	V-Hz	3x230/400-60	3x230/400-60	3x230/400-60	3x230/400-60	3x230/400-60
Nominal current	A	3.7/2.1	7.3/4.2	6.8/3.9	7.1/4.1	8.1/4.7
Motor duty cycle	ED	S3-60%	S3-60%	S3-60%	S3-60%	S3-60%
Max. cycle per hour		16	16	16	12	12
Supply Side wiring / fusing ( delayed action)		5x1.5 <sup>2</sup> 10A	5x2.5 <sup>2</sup> 16A	5x2.5 <sup>2</sup> 16A	5x2.5 <sup>2</sup> 16A	5x2.5 <sup>2</sup> 16A
Limit switch range		20.40	20.60	20.60	20.60	20.60
Elektromaten Weight	kg	26	50	50	52	52



### Membrane Structure

Rollc Membrane structures present itself with great honour as a Company specialized in design, fabrication, manufacturing and installation of Architectural Membrane structures .

Rollc designs canopies according to clients' specifications or develops ideas from the beginning .

Rollc does its best to meet the needs of its customer of the normal and revolution tents. Clients' budgets and ideas are closely followed but our goal is to always surpass their goals and expectations .

To achieve this, we consult with the best in industry to keep current with latest technology and by constantly monitoring our quality .



**Princes Nourah University Project**

Rollc membrane structures provide tension membrane structures for Architectural shelter solutions that are practical, appealing and for exceptional quality .

Rollc offers a full range of services for light weight structures from schematic design, to design development through :to manufacture and installation. The Areas we cover are Stadiums, Tennis Sports Hall Centre, Wedding Halls, Courtyard Shades, Sails, Swimming Pools, Garden & Patio, Car Park Shades Entrance Covers, etc .

Rollc has skilled engineers and technicians specialized in membrane structures, had extensive experience and knowledge in the field of tension membrane structure .

Their design and technical skills are supported through a strong association with our European Engineering consulting firms leading membrane structure .

Rollc regularly works with architects and project engineers to develop innovative design with a view to enhance architectural qualities of the built environment .



**King Khalid City Military Project**

### What make Rolle Different from Others

- **Listening To Clients** - Dedication to total quality management means that we are working fast and efficient while striving to exceed your expectations .
- **Safety and Quality** - We use high quality materials and accessories that are safe, ensuring that our workforce is well trained and professional. The results are finest products and services .
- **Innovation** - We keep updated with the latest trends while implementing our own innovations. Thinking outside the box is what helps us succeed .
- We are looking for a long-term business relationship for mutual benefits through our unique product, service, customer care relationship and professional .



Private Swimming Pool Sheets

### Quality Assurance

Membrane Structure is currently implementing quality assurance systems in all areas of operations, from research and development of product to manufacture and erection .



Car Parking Sheets

# Rollc Certificates

**Certificate of Compliance** Page 1 of 1

Certificate Number: 2011115-022076  
Report Reference: R25976-20103030  
Issue Date: 2011-November-15

**UL Underwriters Laboratories**

Issued to: **ROLLC FACTORY**  
Al Manak Industrial Area,  
Al Kharg Rd, PO Box 63975,  
Riyadh 11526 Saudi Arabia

This is to certify that representative samples of **Rolling Steel Fire Doors**  
Model RIFA77, Rolling steel fire door assemblies with insulated slats intended for 2 h (where applicable), 1-1/2 h and 3/4 h locations

Have been investigated by Underwriters Laboratories in accordance with the Standard(s) indicated on this Certificate.

Standard(s) for Safety: **ANSI/UL10B - Fire Tests of Door Assemblies**

Additional Information: See UL On-line Certification Directory at [WWW.UL.COM](http://WWW.UL.COM) for additional information.

Only those products bearing the UL Classification Mark should be considered as being covered by UL's Classification and Follow-Up Service.

The UL Classification Mark includes: UL in a circle symbol, ® with the word "CLASSIFIED" (as shown); a control number (may be alphanumeric) assigned by UL, a statement to indicate the extent of UL's evaluation of the product; and, the product category name (product identity) as indicated in the appropriate UL Directory.

Look for the UL Classification Mark on the product

William R. Carney  
Director, North American Certification Programs  
Underwriters Laboratories Inc.  
Any information and documentation involving UL Mark services are provided on behalf of Underwriters Laboratories Inc. (UL) or any authorized licensee of UL.

**Certificate of Compliance** Page 1 of 1

Certificate Number: 20090624-R25976  
Report Reference: R25976, 2009 March 28  
Issue Date: 2009 June 24

**UL Underwriters Laboratories Inc.**

Issued to: **ROLLC FACTORY**  
Al Manak Industrial Area  
Al Kharg Rd, PO Box 63975  
Riyadh 11526 Saudi Arabia

This is to certify that representative samples of **ROLLING STEEL FIRE DOORS**  
Model RC97, Rolling Steel Fire Doors for installation on masonry walls, rated up to 2 hours, mounted to the face of the wall.

Have been investigated by Underwriters Laboratories Inc.® in accordance with the Standard(s) indicated on this Certificate.

Standard(s) for Safety: The basic standard used to investigate products in this category is ANSI/UL 10B, "Fire Tests of Door Assemblies."

Additional Information: N/A

Look for the UL Classification Mark on the product

Only those products bearing the UL Classification Mark should be considered as being covered by UL's Classification and Follow-Up Service.

The UL Classification Mark includes: UL in a circle symbol, ® with the word "CLASSIFIED" (as shown); a control number (may be alphanumeric) assigned by UL, a statement to indicate the extent of UL's evaluation of the product; and, the product category name (product identity) as indicated in the appropriate UL Directory.

Issued by: *Ranjini S* Reviewed by: *Alec Hansen*  
Ranjini S, Customer Service Professional. Alec Hansen, Staff Engineer, Fire Protection Division  
UL India Pvt. Ltd. Underwriters Laboratories Inc.

Any information and documentation provided to you involving UL Mark services are provided on behalf of Underwriters Laboratories Inc. For questions in India, you may call 91-98-4319-4088, UL India Pvt. Ltd.

**Certificate of Compliance** Page 1 of 1

Certificate Number: 20090624-R25976  
Report Reference: R25976, 2009 May 13  
Issue Date: 2009 June 24

**UL Underwriters Laboratories Inc.**

Issued to: **ROLLC FACTORY**  
Al Manak Industrial Area  
Al Kharg Rd, PO Box 63975  
Riyadh 11526 Saudi Arabia

This is to certify that representative samples of **ROLLING STEEL FIRE DOORS**  
Model RC97-3FR, Rolling Steel Fire Doors for installation on masonry walls, rated up to 3 hours, mounted to the face of the wall.

Have been investigated by Underwriters Laboratories Inc.® in accordance with the Standard(s) indicated on this Certificate.

Standard(s) for Safety: The basic standard used to investigate products in this category is ANSI/UL 10B, "Fire Tests of Door Assemblies."

Additional Information: N/A

Look for the UL Classification Mark on the product

Only those products bearing the UL Classification Mark should be considered as being covered by UL's Classification and Follow-Up Service.

The UL Classification Mark includes: UL in a circle symbol, ® with the word "CLASSIFIED" (as shown); a control number (may be alphanumeric) assigned by UL, a statement to indicate the extent of UL's evaluation of the product; and, the product category name (product identity) as indicated in the appropriate UL Directory.

Issued by: *Ranjini S* Reviewed by: *Alec Hansen*  
Ranjini S, Customer Service Professional. Alec Hansen, Staff Engineer, Fire Protection Division  
UL India Pvt. Ltd. Underwriters Laboratories Inc.

Any information and documentation provided to you involving UL Mark services are provided on behalf of Underwriters Laboratories Inc. For questions in India, you may call 91-98-4319-4088, UL India Pvt. Ltd.

**DAS Certification**

**QUALITY MANAGEMENT SYSTEM**

**Certificate of Approval**

This is to certify that the Quality Management System of:

Company name: **Rollc Company**

Located: P.O. Box 63975, Riyadh 11526 Kingdom of Saudi Arabia

has been assessed by DAS Certification Ltd and found to meet the requirements of:

**ISO 9001:2008**

The certificate is valid for the following scope of operation:

**Manufacturing of Automatic Rolling Doors, Fire Rated Rolling Doors, Acoustic Rolling Doors, Air Craft Hangar Doors, Security Systems And Membrane Structure**

Date of Certificate Issue: 26<sup>th</sup> March 2011  
Certificate Valid until: 25<sup>th</sup> March 2014  
Certificate Number: QS 66778-334

This certificate is the property of DAS Certification and is valid from 26<sup>th</sup> March 2011 until 25<sup>th</sup> March 2014 and remains valid subject to satisfactory surveillance audits. Recertification shall happen 26<sup>th</sup> February 2014 issue / certified since 26<sup>th</sup> March 2011

Authorised: *[Signature]*  
Date 26<sup>th</sup> March 2011

DAS CERTIFICATION LTD.  
Company Number: 3384526  
1 Wellington Close  
Hemel Hempstead  
Hampshire GU18 8LR  
Telephone & Fax: +44 (0) 2992 597888  
[www.dascertification.co.uk](http://www.dascertification.co.uk)  
Email: [office@dascertification.co.uk](mailto:office@dascertification.co.uk)

IAF REGISTERED ISO 9001:2008 U K A S

**RIVERBANK ACOUSTICAL LABORATORIES**

Alion Science and Technology

1512 S. BATAVIA AVENUE GENEVA, ILLINOIS 60134

630232-0104  
FOUNDED 1918 BY WALLACE CLEMENT SABINE

**TEST REPORT**

Rollc Company RAI™-TL1-1-138  
8 June 2011 Page 3 of 4

**TEST RESULTS**

Sound transmission loss values are tabulated at the eighteen standard frequencies. A graphic presentation of the data and additional information appear on the following pages. The precision of the TL test data is within the limits set by the ASTM Standard E90-09.

FREQ.	T.L.	C.L.	DEF.	FREQ.	T.L.	C.L.	DEF.
100	15	0.64		800	29	0.15	4
125	15	0.52		1000	22	0.12	2
160	15	0.60	3	1250	34	0.12	1
200	20	0.33	1	1600	35	0.11	
250	21	0.41	3	2000	36	0.11	
315	24	0.40	3	2500	39	0.09	
400	26	0.35	4	3150	40	0.06	
500	28	0.17	3	4000	40	0.06	
630	27	0.24	5	5000	42	0.07	

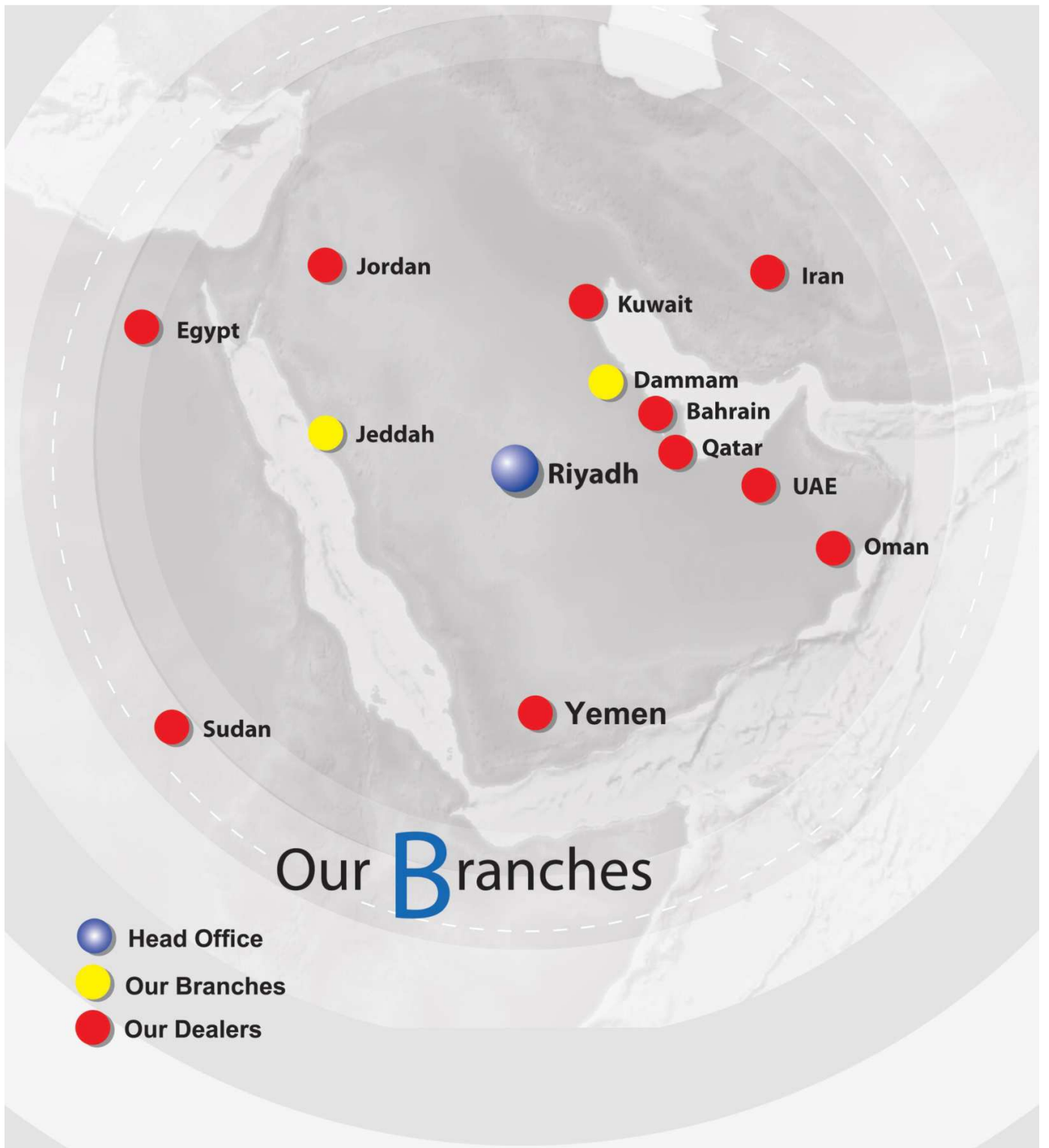
STC=31

**ABBREVIATION INDEX**




FREQ. = FREQUENCY, HERTZ, (cps)  
T.L. = TRANSMISSION LOSS, dB  
C.L. = UNCERTAINTY IN dB, FOR A 95% CONFIDENCE LIMIT  
DEF. = DEFICIENCIES, dB-STC CONTOUR (SUM OF DEF = 29)  
STC = SOUND TRANSMISSION CLASS

Tested by: *Marc Sciaky* Approved by: *David L. Moyer*  
Marc Sciaky Experimentalist David L. Moyer Laboratory Manager

Digitally signed by David Moyer  
UL Certified Master (CML)  
Acoustical Engineering, Calibration,  
Acoustics and Technology  
Member of the International  
Acoustical Association  
Date: 2011.07.25 09:32:02 -0500



# Our **B**ranches

-  Head Office
-  Our Branches
-  Our Dealers

Riyadh Head Office & Sales Office  
 Tel.: +96611 4164677 - 4164688 Fax:+966 11 4164699  
 Email: sales@rollc.net

Riyadh Factory  
 Tel.:+966 11 2147444 - Fax:+966 11 4164699  
 Email: info@rollc.net

## Rolc Qatar For Automatic System

Tel : 00974 – 4481 2700.  
 Fax : 00974 – 4487 7640.  
 Email : rollcqatar@rollc.net  
 website : www.rollc.net  
 P.O.Box: 90696.  
 Doha - Qatar.